

PLATELOAD



Product Data Sheet



PLSP Shoulder Press Machine

Get amazing results with this shoulder press that has a 25 degree converging pattern provides an exceptional range of motion, both arms can be used together or independently.

SPECIFICATIONS

Features:

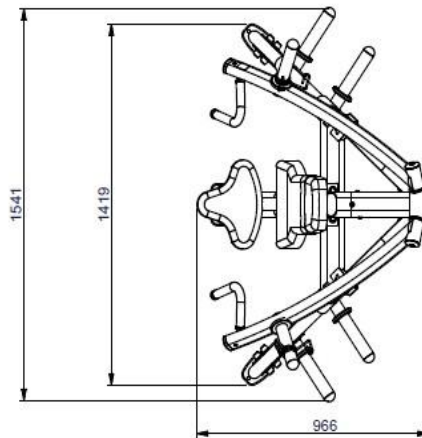
- Frame: 11 gauge steel, 2" x 4" oval tubing
- Electro-statically applied powder coat
- Industrial rated bearings, sealed bearings at all pivot points
- Springs (where applicable) make seat & weight arm adjustments quick and easy

Specs:

- Floor Space: 61"L x 42"W x 55"H
- Product Weight: 193lbs
- Capacity Weight: 500lbs

Warranty: Commercial and Residential

- 15 yr frame
- 2 yr bearings
- 6 months upholstery & grips
- 1 yr all other parts*Color(Y/N):
- Weight Plate not include



1541mm/60.6"(L)x966mm/42"(W)x1381mm/55"(H)



[Video instruction](#)

PLATELOAD

INTERNATIONAL

3F28, No. 5, Shin-Yi Rd., Sec. 5, Taipei, Taiwan 110
 Tel: +886-2-2720-9980
 Fax: +886-2-2722-9750
 E-mail: joong@ms13.hinet.net
 http://www.steelflexfitness.com